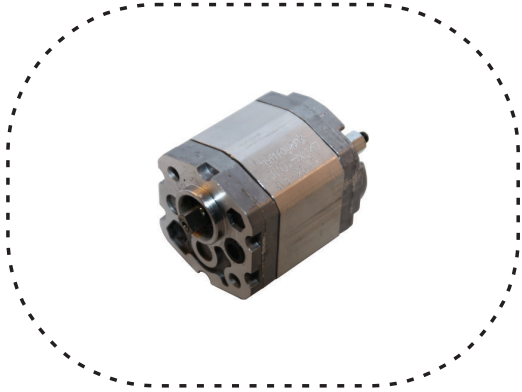
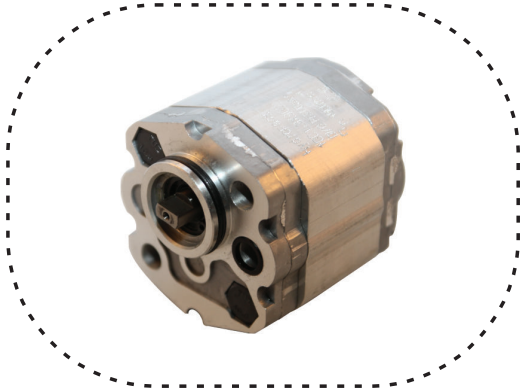
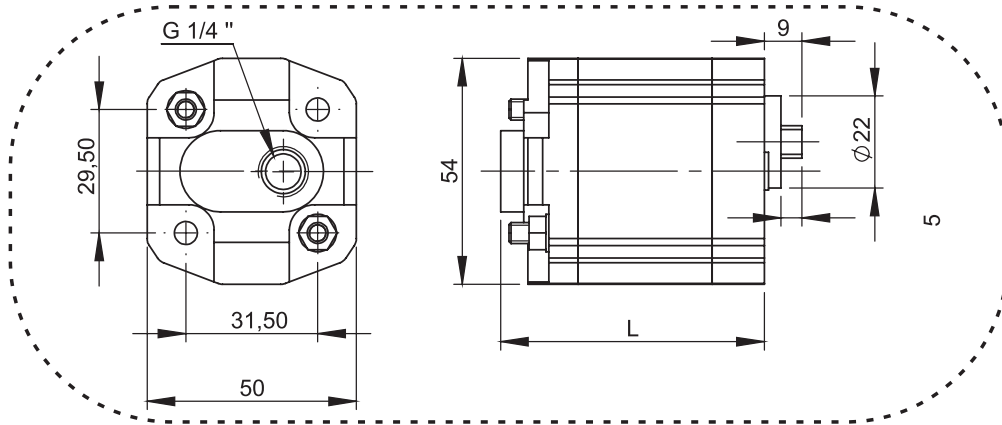


III 6 7 POMPA / PUMP



PUMPS - POMPALAR
GROUP 00 - 00. GRUP

Code Kod	Flow Rate Debi cc/rev	Flow Rate Debi L/min	Pmax bar	Dimensions Boyutlar L mm
01	0.25	0.375	200	61
02	0.5	0.75	200	63
03	4.5	1.125	200	65
04	1	1.5	200	67
05	1.25	1.875	200	69



PUMPS - POMPALAR
GROUP 10 - 10. GRUP

Code Kod	Flow Rate Debi cc/rev	Flow Rate Debi L/min	Pmax bar	Dimensions Boyutlar L mm
10	0.8	1.2	250	73
11	1.1	1.65	250	74
12	1.3	1.95	250	75
13	1.8	2.7	250	77
14	2.1	3.15	250	78
15	2.7	4.05	250	80.5
16	3.2	4.8	250	82
17	3.7	5.55	250	85
18	4.2	6.3	250	86.5
19	4.8	7.2	250	88
20	5.8	8.7	200	93.5
21	7	10.5	180	96
22	8	12	150	100

