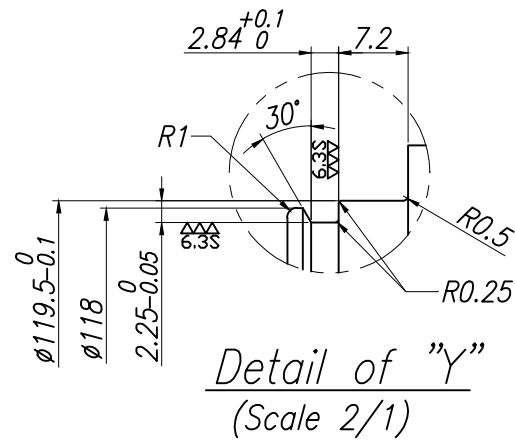
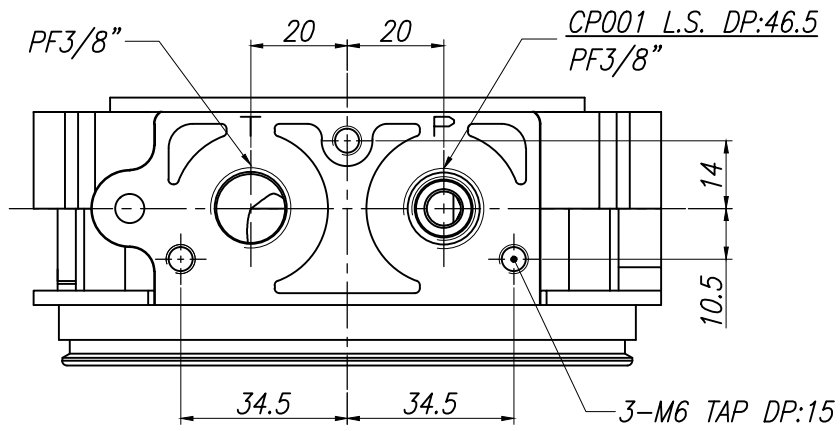
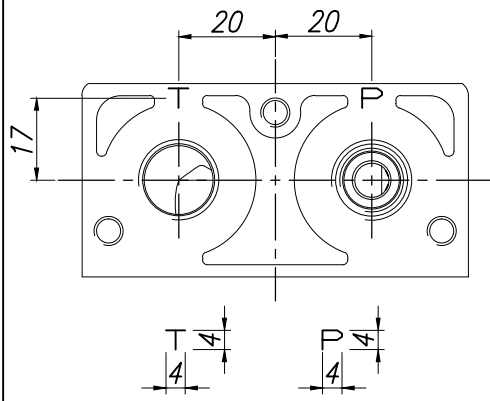
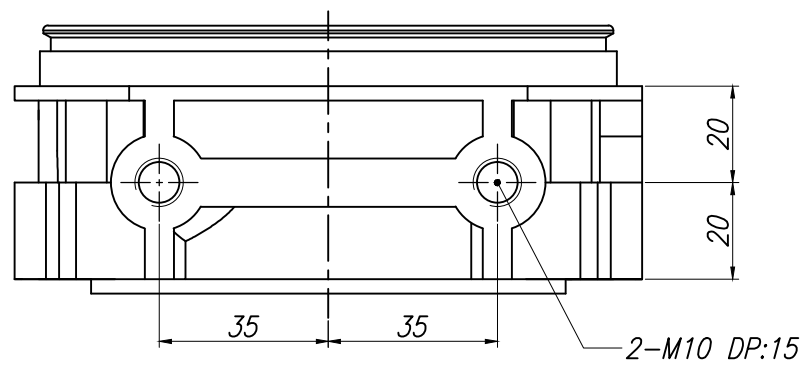
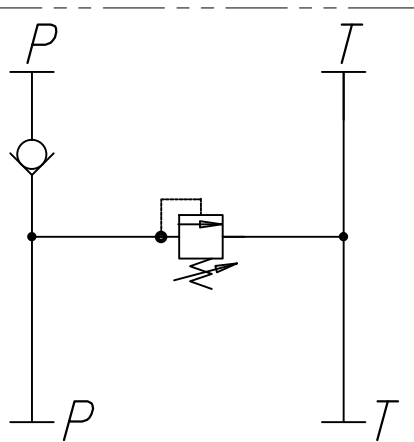
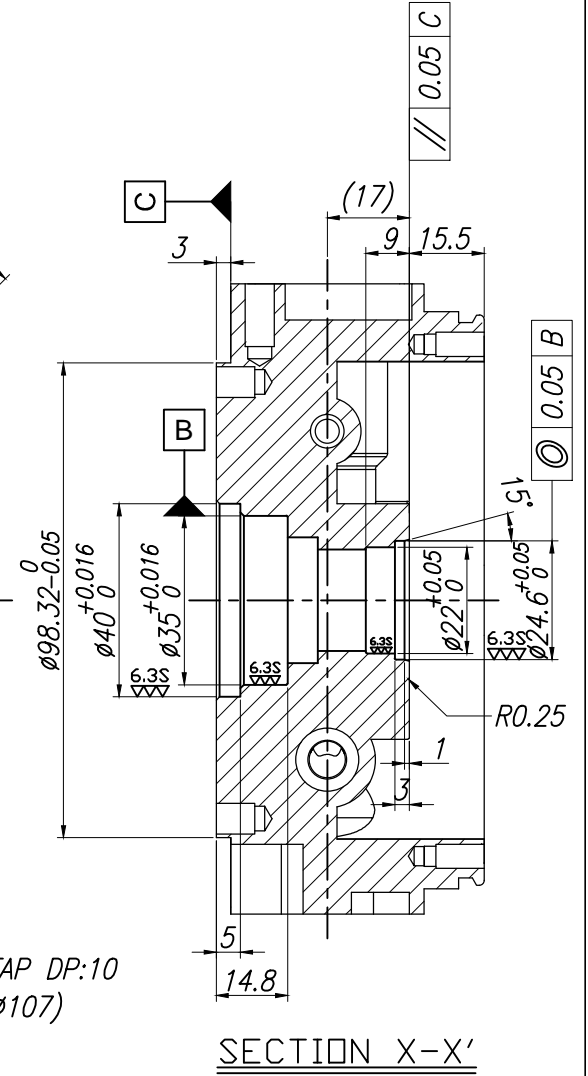
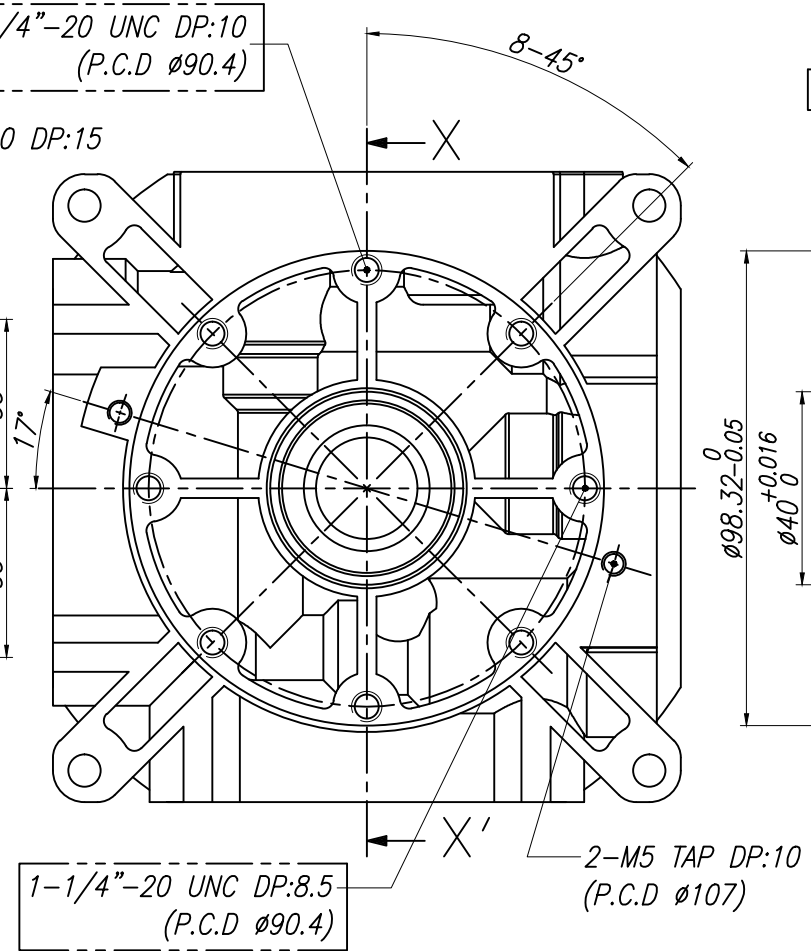
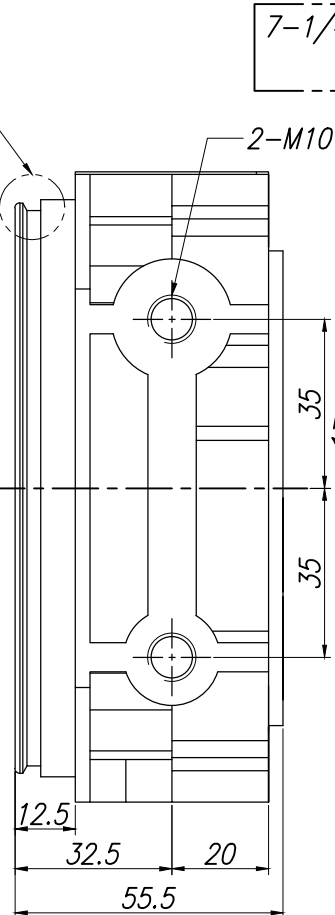
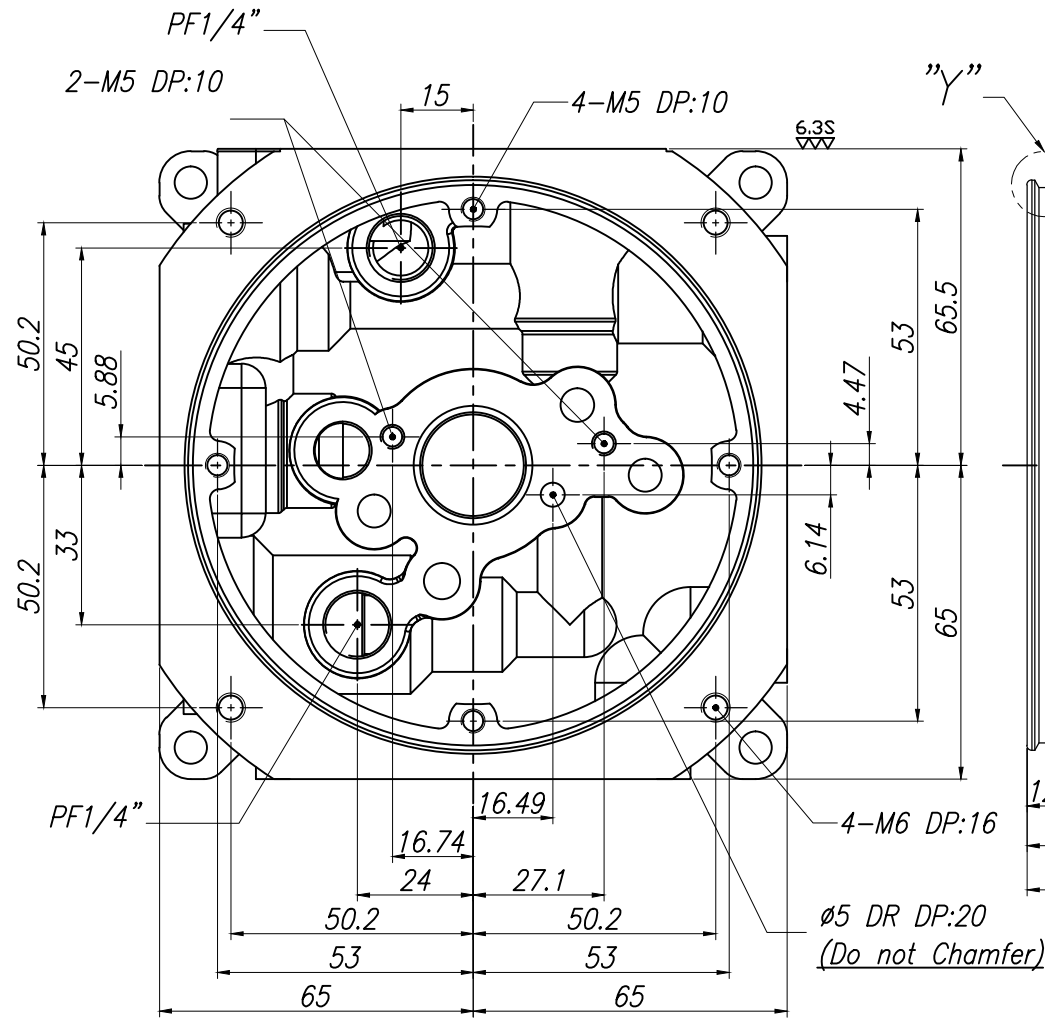
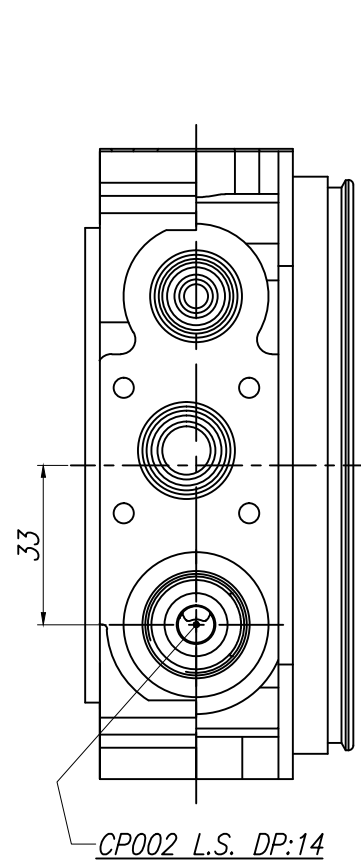


P & T Mark Detail



NO.	DATE	NAME	CHANGES
△			
△			
△			



MATERIAL	HEAT TREAT	Q'TY	SCALE	DESCRIPTION	
ALDC12	-	EA	1/1		
			DO NOT SCALE DRAWING	APP.	DATE
				CH.	DATE
				CH.	DATE
				DR.	DATE
				DRAWING NO.	R0
					A2