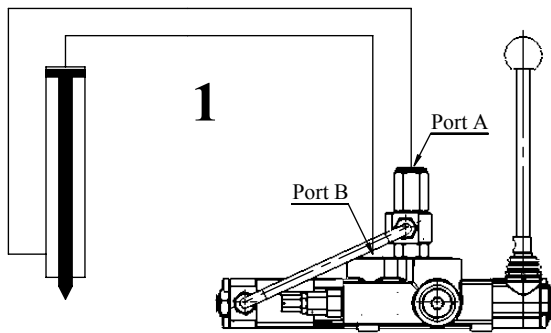
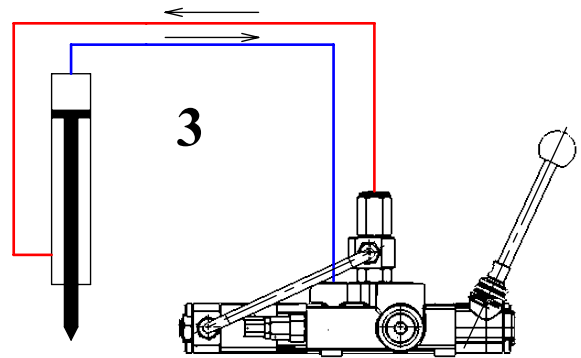


Z80 / A7hc / KZ1
Directional control valve for splitting machines

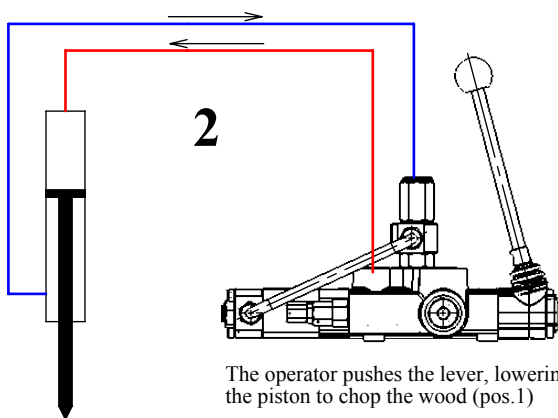
Operation - step by step



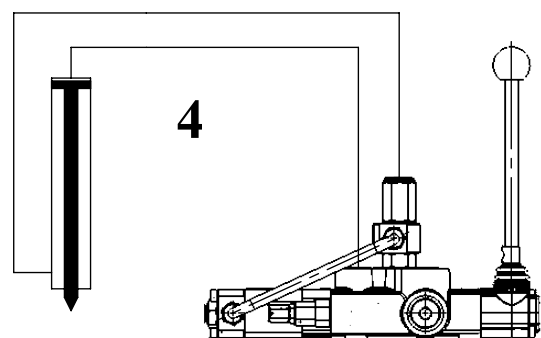
The handle is in neutral position (P-T)



The operator releases the handle, that moves on the opposite side and the cylinder moves all the way up. (pos.2)

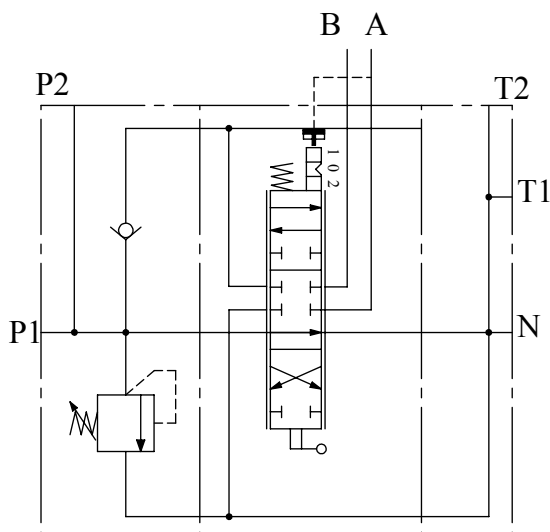


The operator pushes the lever, lowering the piston to chop the wood (pos.1)



At the stroke end, the handle returns automatically to center position (P to T)

Hydraulic scheme



Description code:
 Z80 A7hc KZ1 G