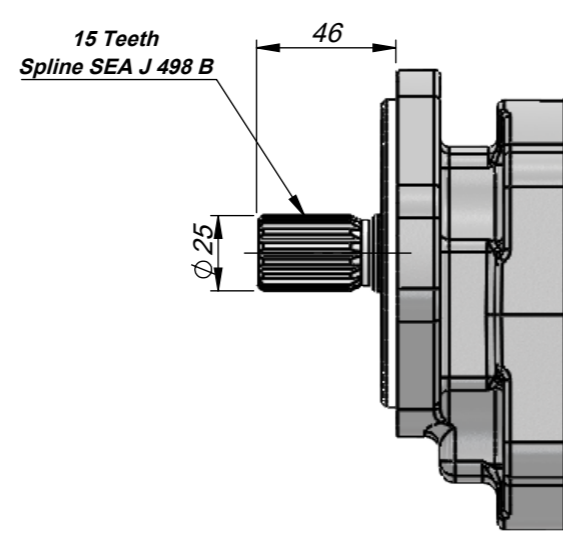
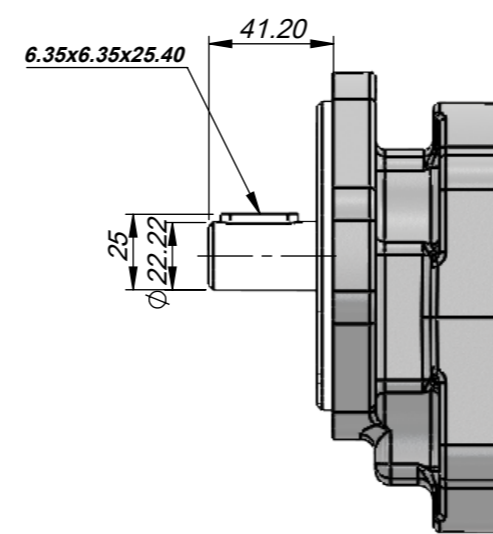


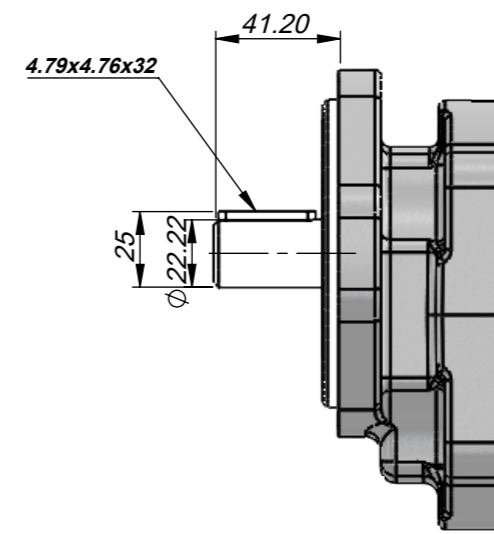
F5



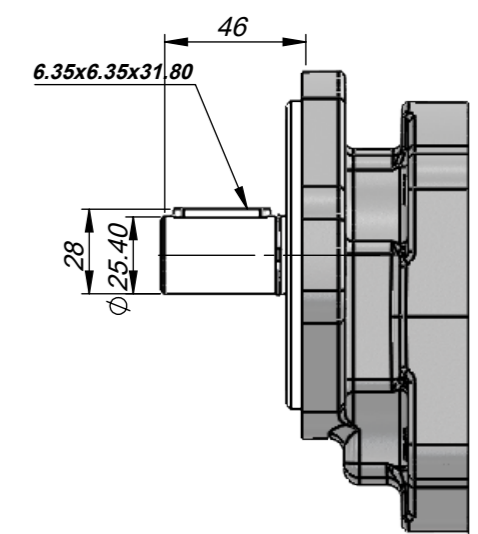
F6



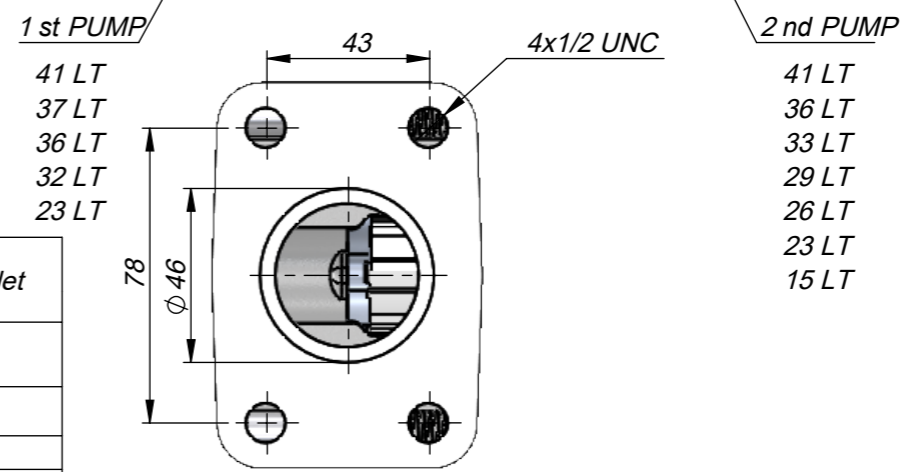
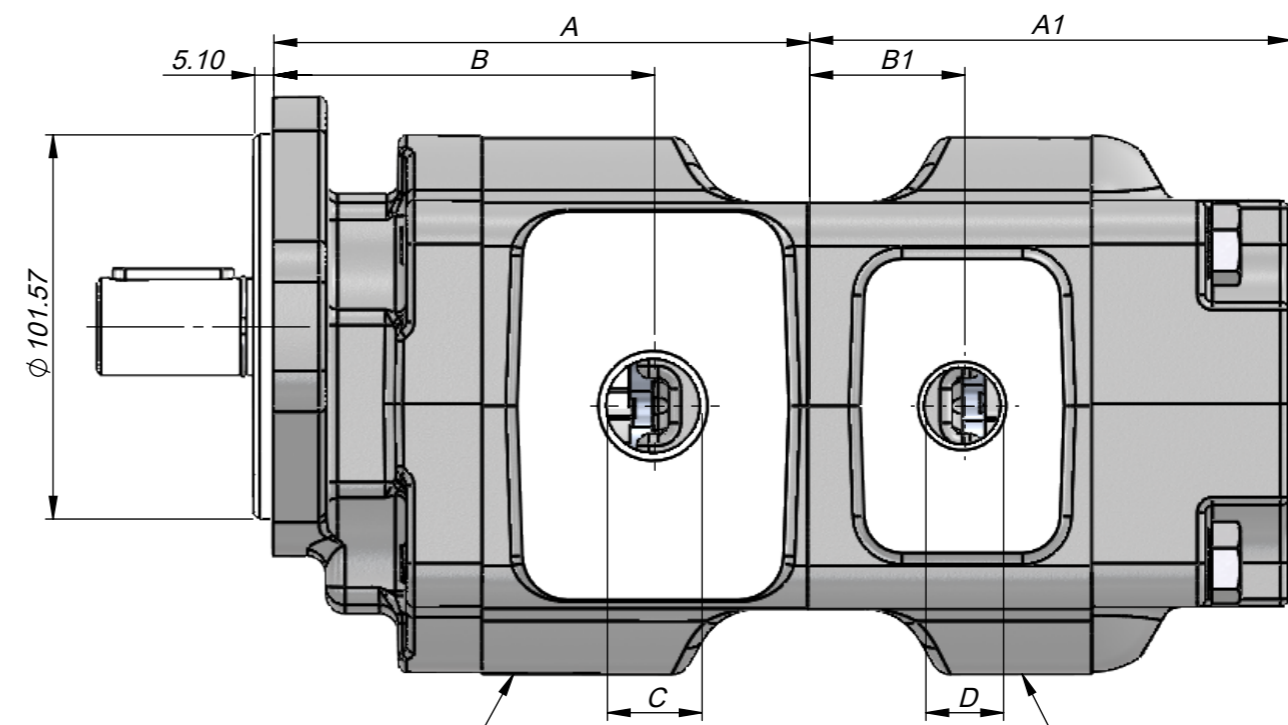
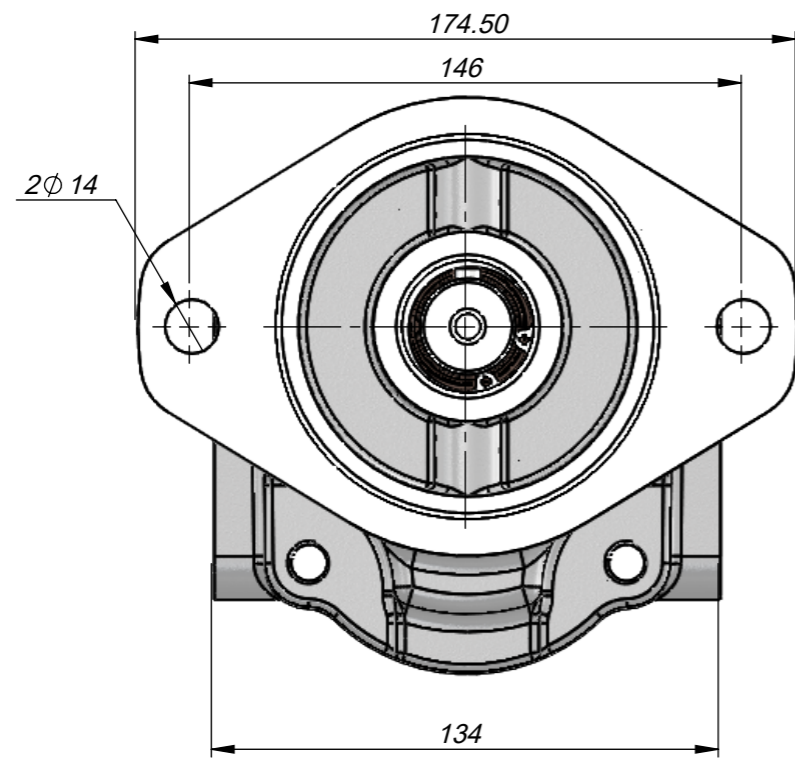
K1



K2



K3



- 1 st PUMP
- 41 LT
- 37 LT
- 36 LT
- 32 LT
- 23 LT

- 2 nd PUMP
- 41 LT
- 36 LT
- 33 LT
- 29 LT
- 26 LT
- 23 LT
- 15 LT

Displacement (cm ³ /rev)	Max. Continuous Pressure (BAR)	Speed Range (Rev / Min)		A (mm)	B (mm)	A1 (mm)	B1 (mm)	Outlet	
		Min.	Max. Continuous					C	D
41	220	500	3500	147.5	106	-	-	1 1/16"	-
37	250			143	102	-	-	1 1/16"	-
36	275			142	101	-	-	1 1/16"	-
33				-	-	187	94	-	7/8"
32				127	86	-	-	1 1/16"	-
29				-	-	130.5	89.5	-	7/8"
26				-	-	127	86	-	7/8"
23				-	-	124	83	-	7/8"
15	-	-	-	-	-	-	-		