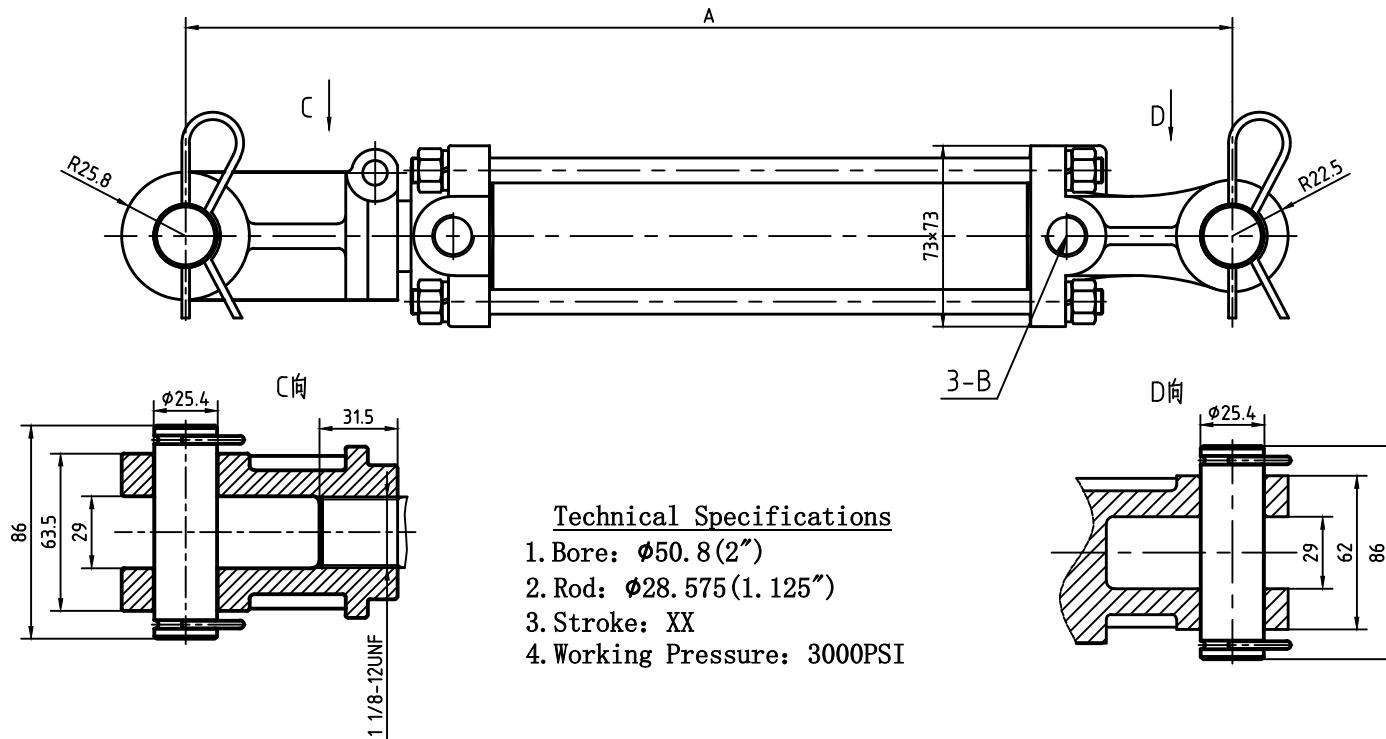


TECHNICAL DATA - Tie-rod Cylinders 2"



Technical Specifications

1. Bore: $\phi 50.8$ (2")
2. Rod: $\phi 28.575$ (1.125")
3. Stroke: XX
4. Working Pressure: 3000PSI

Part Number	Stroke	B	A
TR2006-112	152.4 (6")	G3/8	412.8 (16.25")
TR2008-112	203.2 (8")	G3/8	463.6 (18.25")
TR2010-112	254.0 (10")	G3/8	514.4 (20.25")
TR2012-112	304.8 (12")	G3/8	565.2 (22.25")
TR2014-112	355.6 (14")	G3/8	616.0 (24.25")
TR2016-112	406.4 (16")	G3/8	666.8 (26.25")
TR2018-112	457.2 (18")	G3/8	717.6 (28.25")
TR2024-112	609.6 (24")	G3/8	870.0 (34.25")

