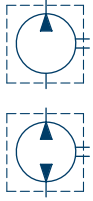
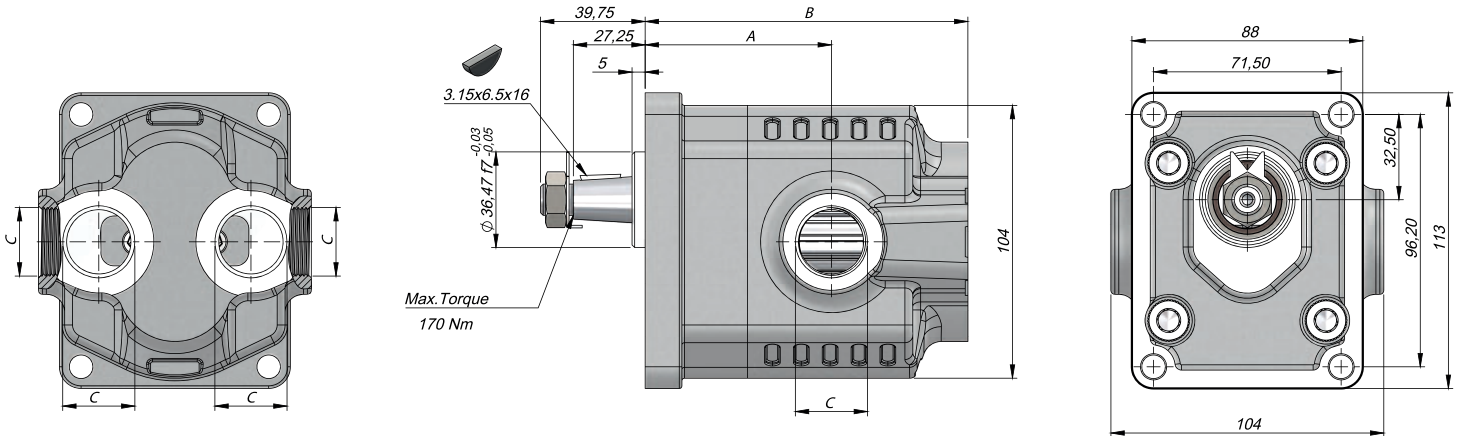



TECHNICAL DATA
4 HOLES K KEYED BI-DIRECTIONAL GEAR PUMP


HYDRAULIC SYMBOL

Inlet Pressure		0.7÷ 3 bar		
Operating Viscosity Range		-12:100 cSt		
Fluid Temperature		-10 °C+80 °C		
Working Pressure	Contamination		Filter	
	NAS 1638	ISO 4406	βx=75	
≥200 bar	11	20/17	25 μm	
≤200 bar	12	21/18	40 μm	



Code	Displacement (cm ³ /rev)	Max.Continuous Pressure (100%)(BAR)	Max.Intermittent Pressure (20 sec.max.)(BAR)	Max.Peak Pressure (6 sec.max.)(BAR)	Max.Continuous Speed (RPM)	Max.Intermittent.Speed (RPM)	Min. Hız Min.Speed (RPM)	A (mm)	B (mm)	Giriş Inlet C	Çıkış Outlet C
G20006KK631	6	280	300	330	2300	3100	300	59	93	G1/2"	G1/2"
G20010KK631	10							65	99		
G20016KK631	16							65	109		
G20020KK631	20	260	280	300	2100	2900	300	69	115	G3/4"	G3/4"
G20025KK631	25	220	250	270				71	123		
G20032KK631	32	190	200	220	1900	2600	300	82	134	G3/4"	G3/4"
G20040KK631	40	180	190	200				95	147		