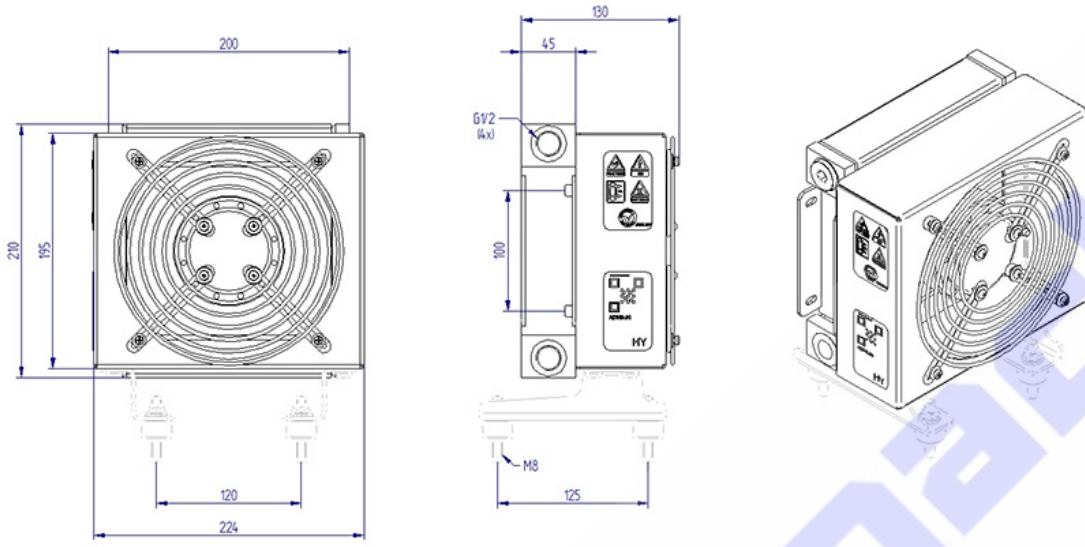
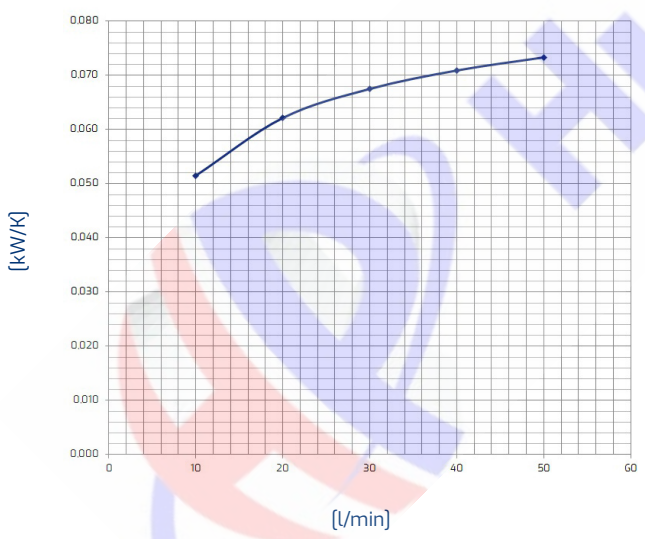
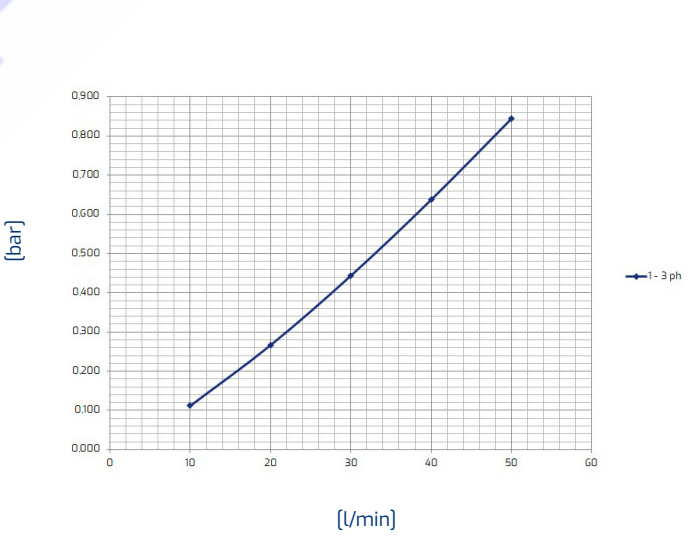


HY series
HY01001 (230V) & HY01003 (230/400V)

Technical data

Item	Oil flow [l/min]	Capacity [l]	Weight [kg]	Rpm	Voltage [V]	Frequency [Hz]	Current absorption [A]	Power [W]	Ø Fan [mm]	Air flow [m³/h]	Noise level [db(A)]
HY01001	10-50	0,7	5		230	50/60	0,23	47	170	330	62
HY01003	10-50	0,7	5		230/400	50/60	0,12	44	170	340	59

Performance

 Oil T 80°C
 T Amb. 40°C

Pressure drop


Viscosity - ISO VG 32 Oil					
Oil	22	32	46	68	150
Correction factor	0,8	1	1,2	1,6	3