



# TECHNICAL DATA

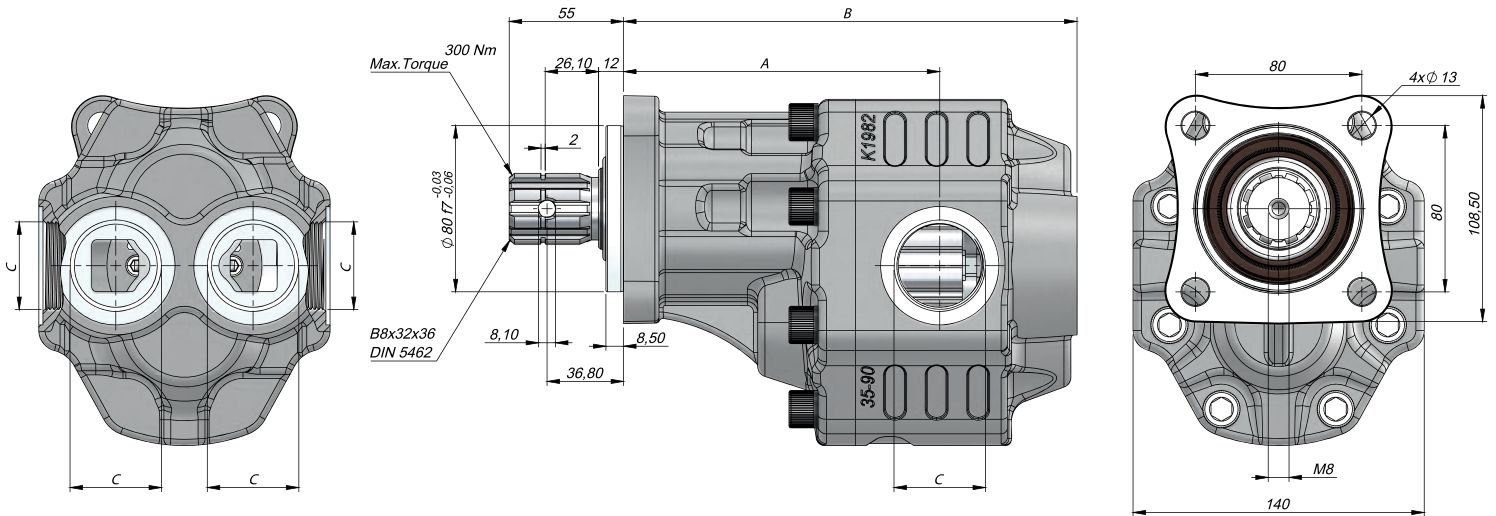
## 4 BOLT BI-DIRECTIONAL GEAR PUMP

GEAR PUMP



HYDRAULIC SYMBOL

Inlet Pressure		0.7÷ 3 bar	
Operating Viscosity Range		-12:100 cSt	
Fluid Temperature		-10 °C+80 °C	
Working Pressure	Contamination		Filter
	NAS 1638	ISO 4406	$\beta_x=75$
$\geq 200$ bar	11	20/17	25 $\mu\text{m}$
$\leq 200$ bar	12	21/18	40 $\mu\text{m}$



Code	Displacement (cm <sup>3</sup> /rev)	Max.Continuous Pressure (100%)(BAR)	Max.Intermittent Pressure (20 sec.max.)(BAR)	Max.Peak Pressure (6 sec.max.)(BAR)	Max.Continuous Speed (RPM)	Max.Intermittent Speed (RPM)	Min.Speed (RPM)	A (mm)	B (mm)	Inlet C	Outlet C
GP-4B35-60BD	60	250	270	290	1800	2500	300	146	205	G1"	
GP-4B35-82BD	82	240	260	280				148	214	G1 1/4" (G1" Alternative)	
GP-4B35-90BD	90	230	250	270				152	218	G1 1/4"	
GP-4B35-100BD	100	220	240	260				153	236		
GP-4B35-110BD	110	205	220	250				154.5	230		
GP-4B35-125BD	125	195	215	230				158	240.5		